

Description	Part No.	Federal stock No.	Qty.
INSULATION SLEEVING, ELECTRICAL: stamped 4026A18, WHT, 0.208 id, 0.020 wall, 2 lg, (material 9025863), (item 63)			1
INSULATION SLEEVING, ELECTRICAL: stamped 4029A18, WHT, 0.208 id, 0.020 wall, 2 lg (material 9025863), (item 64)			1
INSULATION SLEEVING, ELECTRICAL: stamped 4035A18, WHT, 0.208 id, 0.020 wall, 2 lg (material 9025863), (item 70)			1
KIT, modification, for ORD 8 spare cable assembly, operating panel 8525173	5950168	1440-858-5774	1
Consisting of:			
DRAWING, package contents A5950168			1
INSULATION SLEEVING, ELECTRICAL: stamped 20AFU18, 2 lg, split open (material 9034661), (item 76)			2
SLEEVE, MARKER, CABLE: stamped 9978250, 2 lg, split open (material 9034331), (item 94)			1
WIRING HARNESS, BRANCHED: w/three lamps atchd, (item 109)	9978320		1
KIT, modification, for ORD 8 spare wiring harness, branched 9025645	5950169	1440-858-5775	1
Consisting of:			
DRAWING, package contents A-5950169			1
INSULATION SLEEVING, ELECTRICAL: stamped 9978247, WHT, plastic, flex., 1 id, 0.035 wall, 2 lg, split open (material 9025896), (item 75)			1
WIRE, ELECTRICAL: stamped 2919G18, nylon ins, stranded, cop., tnd, no. 18 AWG, 22 lg (material 8162060), (item 103)			1
WIRE, ELECTRICAL: stamped 3011AK18, nylon ins, stranded, cop., tnd, no. 18 AWG, 27 lg (material 8162060), (item 105)			1
WIRE, ELECTRICAL: stamped 4028A18, nylon ins, stranded, cop., tnd, no. 18 AWG, 15 lg (material 8162060), (item 106)			1
KIT, modification, for ORD 8 spare electrical assem- bly, launcher section operating panel 8525396	5950170	1440-858-5776	1
Consisting of:			
DRAWING, package contents A5950170			1
GROMMET, neoprene, (item 2)	RYC R/C#81		1
INSULATION SLEEVING, ELECTRICAL: stamped 9978093, WHT, 1.750 id, 0.055 wall, 2 lg, split open (material 9025861), (item 5)			1
INSULATION SLEEVING, ELECTRICAL: stamped 9978288, WHT, 1.750 id, 0.055 wall, 4 lg, split open (material 9025861), (item 9)			1
INSULATION SLEEVING, ELECTRICAL: stamped 225BA20, WHT, 0.208 id, 0.020 wall, 2 lg, split open (material 9025863), (item 10)			2
PLATE, identification, (item 1)	9978078		1
WIRE, ELECTRICAL: stamped 4068E18, nylon ins, stranded, cop., tnd, no. 18 AWG, 98 lg (material 8162060) w/an 8168573 ferrule, elec cond, atchd to one end, and an MS25036-1 term. lug atchd to the other end, (item 45)			1

Description	Part No.	Federal stock No.	Qty.
WIRE, ELECTRICAL: stamped 4068F18, nylon ins, stranded, cop., tnd, no. 18 AWG, 97 lg (material 8162060) w/an 8168573 ferrule, elec cond, atchd to one end, and an MS25036-1 term. lug atchd to the other end, (item 46)			1
WIRE, ELECTRICAL: stamped 4068G18, nylon ins, stranded, cop., tnd, no. 18 AWG, 104 lg (material 8162060) w/an 8168573 ferrule, elec cond, atchd to one end and an MS25036-1 term. lug atchd to the other end, (item 47)			1
WIRE, ELECTRICAL: stamped 4068H18, nylon ins, stranded, cop., tnd, no. 18 AWG, 105 lg (material 8162060) w/an 8168573 ferrule, elec cond, atchd to one end, and an MS25036-1 term. lug atchd to the other end, (item 48)			1
WIRE, ELECTRICAL: stamped 4069A18, nylon ins, stranded, cop., tnd, no. 18 AWG, 87 lg (material 8162060) w/an 8168573 ferrule, elec cond, atchd to one end, and an MS25036-1 term. lug atchd to the other end, (item 49)			1
WIRE, ELECTRICAL: stamped 213D22, cop., tnd-pltd, 45 strands, 300v, 0.05 od, no. 22 AWG, WHT, 6 lg (material 8521659) w/an 8014714 term. lug atch to each end, (item 110)			1
WIRING HARNESS, BRANCHED: w/four lamps atchd, (item 56)	9978283		1
KIT, modification, for ORD 8 spare wiring harness, branched 9025576	5950171	1440-858-5777	1
Consisting of:			
DRAWING, package contents A5950171			1
INSULATION SLEEVING, ELECTRICAL: stamped 9978285, WHT, flex., 1-1/2 id, 0.045 wall, 2 lg, split open (material 9025774), (item 3)			1
INSULATION SLEEVING, ELECTRICAL: stamped 4069B18, WHT, plastic flex., 0.106 id, 0.016 wall, 2 lg, split open (material 9034661), (item 22)			2
WIRE, ELECTRICAL: stamped 32BE18, nylon ins, stranded, cop., tnd, no. 18 AWG, 98 lg (material 8162060) w/one 8168573 ferrule, elec cond, atchd, (item 34)			1
WIRE, ELECTRICAL: stamped 32BF18, nylon ins, stranded, cop., tnd, no. 18 AWG, 95 lg (material 8162060) w/one 8168573 ferrule, elec cond, atchd, (item 35)			1
WIRE, ELECTRICAL: stamped 32BG18, nylon ins, stranded, cop., tnd, no. 18 AWG, 92 lg (material 8162060) w/one 8168573 ferrule, elec cond, atchd, (item 36)			1
WIRE, ELECTRICAL: stamped 32BH18, nylon ins, stranded, cop., tnd, no. 18 AWG, 90 lg (material 8162060) w/one 8168573 ferrule, elec cond, atchd (item 37)			1
WIRE, ELECTRICAL: stamped 173BJ18, nylon ins, stranded, cop., tnd no. 18 AWG, 83 lg (material 8162060) w/an 8168573 ferrule, elec cond, atchd to one end, and an MS25036-1 term. lug atchd to the other end, (item 39)			1

Description	Part No.	Federal stock No.	Qty.
WIRE, ELECTRICAL: stamped 365BA18, nylon ins, stranded, cop., tnd, no. 18 AWG, 70 lg (material 8162060) w/one 8168573 ferrule, elec cond, atchd, (item 40)			1
WIRE, ELECTRICAL: stamped 4068A18, nylon ins, stranded, cop., tnd, no. 18 AWG, 71 lg (material 8162060) w/one 8168573 ferrule, elec cond, atchd, (item 41)			1
WIRE, ELECTRICAL: stamped 4068B18, nylon ins, stranded, cop., tnd, no. 18 AWG, 66 lg (material 8162060) w/an 8168573 ferrule, elec cond, atchd, (item 42)			1
WIRE, ELECTRICAL: stamped 4068C18, nylon ins, stranded, cop., tnd, no. 18 AWG, 82 lg (material 8162060) w/one 8168573 ferrule, elec cond, atchd, (item 43)			1
WIRE, ELECTRICAL: stamped 4068D18, nylon ins, stranded cop., tnd, no. 18 AWG, 79 lg (material 8162060) w/one 8168573 ferrule, elec cond, atchd, (item 44)			1
KIT, modification, for ORD 8 spare cable assembly, operating panel 9030184	5950172	1440-858-5778	1
Consisting of:			
DRAWING, package contents A5950172			1
INSULATION SLEEVING, ELECTRICAL: stamped 9978288, WHT, 1.750 id, 0.055 wall, 4 lg, split open (material 9025861), (item 9)			1
WIRING HARNESS, BRANCHED: w/four lamps atchd, (item 56)	9978283		1
KIT, modification, for ORD 8 spare wiring harness branched 8525736	5950173	1440-858-5817	1
Consisting of:			
DRAWING, package contents A5950173			1
INSULATION SLEEVING, ELECTRICAL: stamped 9978093, WHT, 1.750 id, 0.055 wall, 2 lg, split open (material 9025861), (item 5)			1
INSULATION SLEEVING, ELECTRICAL: stamped 225BA20, WHT, 0.208 id, 0.020 wall, 2 lg, split open (material 9025863), (item 10)			2
WIRE, ELECTRICAL: stamped 4068E18, nylon ins, stranded, cop., tnd, no. 18 AWG, 98 lg (material 8162060) w/an 8168573 ferrule, elec cond, atchd to one end, and an MS25036-1 term. lug atchd to the other end, (item 45)			1
WIRE, ELECTRICAL: stamped 4068F18, nylon ins, stranded, cop., tnd, no. 18 AWG, 97 lg (material 8162060) w/an 8168573 ferrule, elec cond, atchd to one end, and an MS25036-1 term. lug atchd to the other end, (item 46)			1
WIRE, ELECTRICAL: stamped 4068G18, nylon ins, stranded, cop., tnd, no. 18 AWG, 104 lg (material 8162060) w/an 8168573 ferrule, elec cond, atchd to one end, and an MS25036-1 term. lug atchd to the other end, (item 47)			1
WIRE, ELECTRICAL: stamped 4068H18, nylon ins, stranded, cop., tnd, no. 18 AWG, 105 lg (material 8162060) w/an 8168573 ferrule, elec cond, atchd to one end, and an MS25036-1 term. lug atchd to the other end, (item 48)			1

Description	Part No.	Federal stock No.	Qty.
WIRE, ELECTRICAL: stamped 4069A18, nylon ins, stranded, cop., tnd, no. 18 AWG, 87 lg (material 8162060) w/an 8168573 ferrule, elec cond, atchd to one end, and an MS25036-1 term. lug atchd to the other end, (item 49)			1
WIRE, ELECTRICAL: stamped 213D22, cop., tn-pltd, 45 strands, 300v, 0.05 od, no. 22 AWG, WHT, 6 lg (material 8521659) w/an 8014714 term. lug atchd to each end, (item 110)			1
KIT, modification, for ORD 8 spare wiring harness branched 8165879	5950174	1440-858-5818	1
Consisting of:			
DRAWING, package contents A5950174			1
INSULATION SLEEVING, ELECTRICAL: stamped 9978094, WHT, plastic, flex., 1 id, 0.035 wall, 2 lg, split open (material 9025896), (item 21)			1
WIRING HARNESS, branched, (item 55)	9978090		1
KIT, modification, for ORD 8 spare cable assembly, operating cabinet 8525393	5950175	1440-858-5819	1
Consisting of:			
DRAWING, package contents A5950175			1
INSULATION SLEEVING, ELECTRICAL: stamped 9978097, WHT, 1.750 id, 0.055 wall, 3 lg, split open (material 9025861), (item 6)			1
INSULATION SLEEVING, ELECTRICAL: stamped 303BM18, WHT, 0.208 id, 0.020 wall, 2 lg (material 9025863), (item 21)			1
INSULATION SLEEVING, ELECTRICAL: stamped 4-2909H14, WHT, 0.208 id, 0.020 wall, 2 lg (material 9025863), (item 19)			1
KIT, modification, for ORD 8 spare cable assembly, operating cabinet 8525392	5950300	1440-858-5820	1
Consisting of:			
DRAWING, package contents A5950300			1
INSULATION SLEEVING, ELECTRICAL: stamped 9978085, WHT, 1.750 id, 0.055 wall, 3 lg, split open (material 9025861), (item 4)			1
INSULATION SLEEVING, ELECTRICAL: stamped 303BL18, WHT, 0.208 id, 0.020 wall, 2 lg (material 9025863), (item 11)			2
INSULATION SLEEVING, ELECTRICAL: stamped 303BR18, WHT, 0.208 id, 0.020 wall, 2 lg (material 9025863), (item 14)			1
INSULATION SLEEVING, ELECTRICAL: stamped 3-2909H14, WHT, 0.208 id, 0.020 wall, 2 lg (material 9025863), (item 18)			1
KIT, modification, for ORD 8 spare cable assembly, operating cabinet 8525391	5950301	1440-858-5821	1
Consisting of:			
DRAWING, package contents A5950301			1
INSULATION SLEEVING, ELECTRICAL: stamped 9978286, WHT, 1.750 id, 0.055 wall, 3 lg, split open (material 9025861), (item 8)			1
INSULATION SLEEVING, ELECTRICAL: stamped 303BS18, WHT, 0.208 id, 0.020 wall, 2 lg (material 9025863), (item 15)			1
INSULATION SLEEVING, ELECTRICAL: stamped 2-2909H14, WHT, 0.208 id, 0.020 wall, 2 lg (material 9025863), (item 17)			1

KIT, modification, for ORD 8 spare cable assembly, operating cabinet 8525390	5950302	1440-858-5822	1.
Consisting of:			
DRAWING, package contents A5950302			1
INSULATION SLEEVING, ELECTRICAL: stamped 9978284, WHT, 1.750 id, 0.055 wall, 3 lg, split open (material 9025861), (item 7)			1
INSULATION SLEEVING, ELECTRICAL: stamped 303BN18, WHT, 0.208 id, 0.020 wall, 2 lg (material 9025863), (item 13)			1
INSULATION SLEEVING, ELECTRICAL: stamped 1-2909H14, WHT, 0.208 id, 0.020 wall, 2 lg (material 9025863), (item 16)			1
KIT, modification, for ORD 8 spare cable assembly, relay panel 8166673	5950303	1440-858-5823	1
Consisting of:			
DRAWING, package contents A5950303			1
INSULATION SLEEVING, ELECTRICAL: stamped 9978095, WHT, plastic, flex., 0.438 id, 0.025 wall, 3 lg, split open (material 9025895), (item 20)			1
WIRE, ELECTRICAL: stamped 36EZ22, cop., tn- pltd, 45 strands, 300v, 0.05 od, no. 22 AWG, WHT, 28 lg (material 8521659), (item 50)			1
WIRE, ELECTRICAL: stamped 405BD22, cop., tn-pltd, 45 strands, 300v, 0.05 od, no. 22 AWG, WHT, 28 lg (material 8521659), (item 51)			1
WIRE, ELECTRICAL: stamped 407BE22, cop., tn-pltd, 45 strands, 300v, 0.05 od, no. 22 AWG, WHT, 20 lg (material 8521659), (item 52)			1
WIRE, ELECTRICAL: stamped 407BF22, cop., tn-pltd, 45 strands, 300v, 0.05 od, no. 22 AWG, WHT, 26 lg (material 8521659), (item 53)			1
WIRE, ELECTRICAL: stamped 407BG22, cop., tn-pltd, 45 strands, 300v, 0.05 od, no. 22 AWG, WHT, 26 lg (material 8521659), (item 54)			1
KIT, modification, for ORD 8 spare relay, assembly, 8166534	5950304	1440-858-5824	1
Consisting of:			
DRAWING, package contents A5950304			1
INSULATION SLEEVING, ELECTRICAL: stamped 9978095, WHT, plastic, flex., 0.438 id, 0.025 wall, 3 lg, split open (material 9025895), (item 20)			1
NUT, PLAIN, HEXAGON: S, no. 4-40NC-2B, (item 25)	AN340-4		2
TIMER, interval, (item 31)	9978092		1
WASHER, LOCK: split, S, cd-pltd, no. 4 screw size, (item 32)	AN935-4		2
WASHER, FLAT: S, cd-pltd, 1/8 id, 5/16 od, 0.016 thk, (item 33)	AN960-4L		2
WIRE, ELECTRICAL: stamped 36EZ22, cop., tn-pltd, 45 strands, 300v, 0.05 od, no. 22 AWG, WHT, 28 lg (material 8521659) (item 50)			1
WIRE, ELECTRICAL: stamped 405BD22, cop., tn-pltd, 45 strands, 300v, 0.05 od, no. 22 AWG, WHT, 28 lg (material 8521659), (item 51)			1
WIRE, ELECTRICAL: stamped 407BE22, cop., tn-pltd, 45 strands, 300v, 0.05 od, no. 22 AWG, WHT, 20 lg (material 8521659), (item 52)			1

Description	Part No.	Federal stock No.	Qty.
WIRE, ELECTRICAL: stamped 407BF22, cop., tn-pltd, 45 strands, 300v, 0.05 od, no. 22 AWG, WHT, 26 lg (material 8521659), (item 53)			1
WIRE, ELECTRICAL: stamped 407BG22, cop., tn-pltd, 45 strands, 300v, 0.05 od, no. 2 AWG, WHT, 26 lg (material 8521659), (item 54)			1

b. *Source of Supply.* Total quantity of each kit required for DAMWO must be requisitioned on one requisition by each Support unit for total affected equipment. Requisition kits through normal supply channels. Requisitions for the modification kit must list the serial number of each system, major item, or assembly for which a kit is required. Requisitions will not be honored unless the required data is received.

c. *Date Available.* Now.

d. *Weight and Cubage of Parts and Materials.* Not pertinent.

**3. Purpose of Modification.**

a. *Control Indicator C-2620A/TSW.* This modification work order provides:

- (1) An automatic 2-1/4 second fire-launch sequence and a holding circuit for the fire relay that will eliminate timing or sequence errors in the manual mode of firing.
- (2) A missile heat monitor indicator for each launcher that will provide a visual indication of the missile heat status.
- (3) An increase in time duration of the booster squib power application, through the addition of a diode in parallel with each of the missile away and missile ready relays, that should insure the ignition of all booster squibs.
- (4) A wiring circuit to provide a zero indication on the data convertor when NONE is designated, if applicable.

b. *Control-Indicator C-2699/TSW.* This modification work order provides:

- (1) A diode in parallel with the caging relay K9BP that should prevent malfunction of the reject circuit resulting from low d.c. voltage from the section generator.
- (2) Improves the warhead monitoring circuit by replacing the shielded wire ground to baro transformer T7A with a hard wire ground.
- (3) A visual means for monitoring the missile heat status of missiles located at the test stations.
- (4) Circuitry to route the missile-not-away signal through the test station selector switch and the test fire switch.
- (5) Circuitry to route the cage-uncage signal and the roll position signal through the test station selector switch and allow gyro preset to missiles at the test station.
- (6) Removal of glow coil power from the test stations.

**4. Priority Classification.** This modification in in the NORMAL category and must be accomplished as soon as practicable.

*Note.* Kits or materials must be requisitioned within 12 months and applied within 24 months from the date of this modification work order, after which time kits for this mwo will no longer be stocked in depots.

**5. Major Item Affected.**

Description	Federal stock No.	TM No.
CONTROL-INDICATOR C-2620A/TSW (9025515)	1440-765-4305	9-1440-251-34
CONTROL-INDICATOR C-2699/TSW (9032238)	1440-620-9827	9-1440-253-35

## 6. Assembly or Components Affected.

Description	Federal stock No.	Drawing No.	Date
CABLE ASSEMBLY, OPERATING CABINET	1440-574-4260	A8525390	26 Nov 58 Change New
CABLE ASSEMBLY, OPERATING CABINET	1440-574-4261	A8525391	26 Nov 58 Change New
CABLE ASSEMBLY, OPERATING CABINET	1440-574-4262	A8525392	26 Nov 58 Change New
CABLE ASSEMBLY, OPERATING CABINET	1440-574-4263	A8525393	26 Nov 58 Change New
CABLE ASSEMBLY, OPERATING PANEL	1440-589-8531	A8525173	1 Feb 62 Change AG
CABLE ASSEMBLY, OPERATING PANEL	1440-574-4269	E9030184	31 May 60 Change F
CABLE ASSEMBLY, RECEPTACLE	1440-546-5655	E8167963	18 Aug 59 Change J
CABLE ASSEMBLY, RECEPTACLE	1440-546-5666	E8167994	2 Feb 60 Change S
CABLE ASSEMBLY, RELAY PANEL	1440-574-4249	E8166673	7 Nov 60 Change J
CABLE ASSEMBLY, RELAY PANEL	1440-546-5714	E8525059	10 Dec 59 Change T
ELECTRICAL ASSEMBLY, LAUNCHER SECTION OPERATING PANEL	1440-677-0276	A8525396	28 Aug 60 Change Y
PANEL, LAUNCHER CONTROL, MISSILE	1440-623-7070	E9032157	9 Sep 60 Change AL
PANEL, RELAY	1440-612-3039	E9032245	27 Mar 61 Change AL
RACK, LAUNCHER SECTION, DELAY		E9025466	23 Dec 60 Change H
RELAY ASSEMBLY	1440-574-4248	E8166534	14 Nov 58 Change L

## 7. Parts Affected. a. Parts to be Modified.

Description	Part No.	Federal stock No.	Qty.
PANEL, operating, identification	9032159		1
PANEL ASSEMBLY, launching section, operating	8165774		1
WIRING HARNESS, branched	8165879	1440-574-4243	1
WIRING HARNESS, branched	8167731	1440-589-8529	1
WIRING HARNESS, branched	8525029	1440-574-5671	1
WIRING HARNESS, branched	8525736	1440-574-4265	1
WIRING HARNESS, branched	8530802	1440-626-0288	1
WIRING HARNESS, branched	9025576	1440-767-6381	1
WIRING HARNESS, branched	9025645	1440-710-6423	1
WIRING HARNESS, branched	9025646	1440-677-9171	1
WIRING HARNESS, branched	9032622	1440-610-3330	1
WIRING HARNESS, branched	9032624	1440-610-3326	1
WIRING HARNESS, branched	9978042		1

## b. Parts Discarded.

Description	Part No.	Federal stock No. and mission assignment code	Qty.
BUS BAR, gold and sil-pltd, 3/4 w, 0.646 lg, 0.032 thk	8528935	5940-571-3266:Y075	2
CAN, friction, top	8023775		1
CEMENT, SEALING: syn-ru, blk, 24 hr drying time	8150300	8030-342-4917	1
CLAMP, LOOP: cushioned al-alloy, 1-3/8 od tu, hole for no. 10 screw	MS21919DG22	5340-726-9322:J753	1
LENS, INDICATOR LIGHT: plain, red (component 9026585 light, indicator)			1

Description	Part No.	Federal stock No. and mission assignment code	Qty.
PACKING WITH RETAINER: molded syn-ru-seal, S-retainer, 0.469 id, 0.66 od, 0.112 thk	8528861	5330-574-6704:Y081	1
PLATE, IDENTIFICATION: indicator, control- C-2620A/TSW	9025513		1
PLATE, IDENTIFICATION: indicator, control C-2699/TSW	9032672		1
SCREW, MACHINE: truss-hd, S, cd-pltd, no. 8 (0.164) -32NC-2A x 1-1/8	AN526-832-18	5305-560-5545:Y056	2
SCREW, TAPPING, THREAD CUTTING: bdg-hd, corr-res-S, pass-fin., no. 4-40NC x 3/8	76200096	5305-342-4317	As applicable
STAMP, RUBBER: band type, numbering style, 5/32 face, 7 bands, ea inscribed w/numerals 0 to 9, 1 w, 3 h, 1-3/8 lg	8023693	7520-341-2920	1
SWITCH, TOGGLE: spst, 250v ac/dc, 0.5 amp 220v ac/dc, 6 amp	MS35058-28	5930-655-1520:Y081	1
WASHER, FLAT, al-alloy, 0.145 id, 0.257 od, 0.032 thk	8164091	5310-331-2378:Y007	1

c. *Disposal of Discarded Parts.* Dispose of discarded parts in accordance with AR 755-5 (CONUS) or AR 755-10 (foreign).

8. **Drawings Required to Apply Modification.** None (see figures 1 through 9).

9. **Special Tools, Jigs, and Fixtures Required.** None.

10. **Modification Procedure.** a. Modify control-indicator C-2620A/TSW (9025515): having serial numbers 1001 through 1153 with modification kits 1440-858-5770 and 1440-858-5825; serial numbers 1154 through 1957 with modification kit 1440-858-5770, as outlined below:

**Warning:** Control-indicator 9025515 must be removed to the assembly building or a suitable work area at a minimum of 100 feet from the launching area for the application of this modification.

*Note.* Perform steps (1) through (6) below in accordance with TM 9-1440-250-20 and TM 9-1440-250-35.

(1) Gain access to the interior of control-indicator 9025515.

(2) Remove and retain relay panels 8166534 and 8165725.

**Caution:** Remove relay K13A from relay panel and lay it aside before performing step (3) below.

(3) Remove launcher section relay rack 9025466 and place it upside down on the lower door of control-indicator 9025515.

(4) Open the rear door of control-indicator 9025515 by releasing the 15 captive retainers.

*Note.* The key numbers shown below in parentheses refer to figure 1 except where otherwise indicated.

(5) Disconnect the three attached wires and remove toggle switch S10C from the launcher section operating panel (5). Discard: toggle switch MS35058-28, packing with retainer 8528861, and flat washer 8164091. Retain the switch guard.

(6) Disconnect wire 407F22 from switch S10B and wire 405E22 from switch S43A, deck 4, terminal 6. Remove these wires from the wire bundle by cutting the wires as required. Discard the wires.

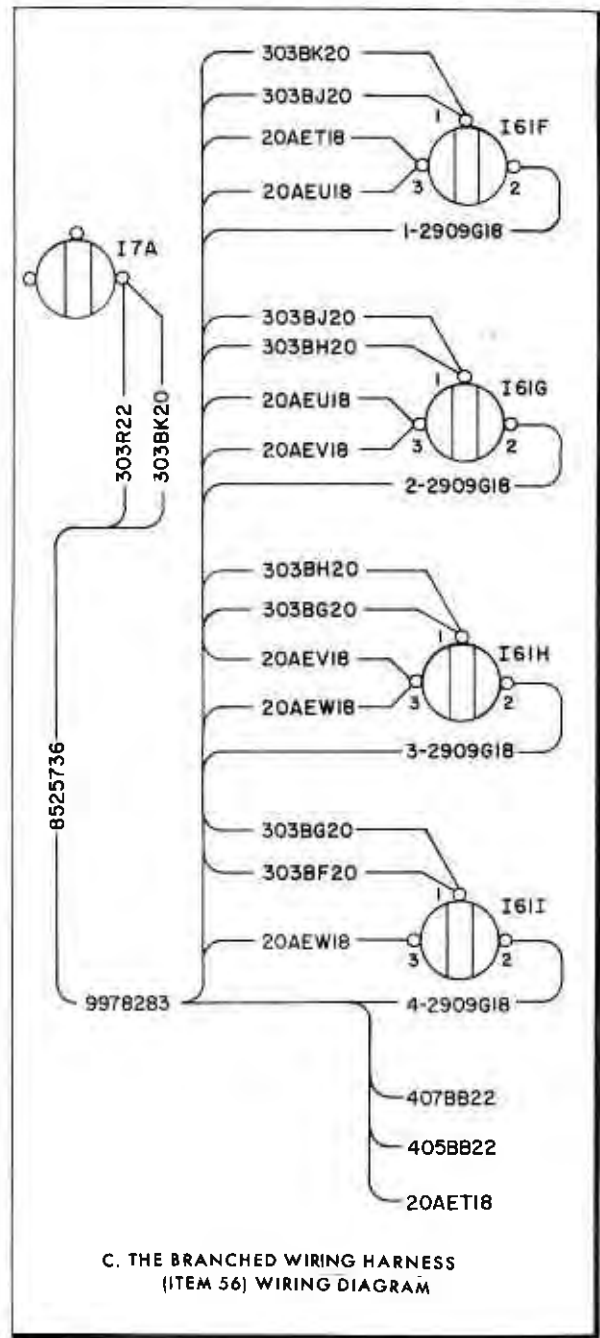
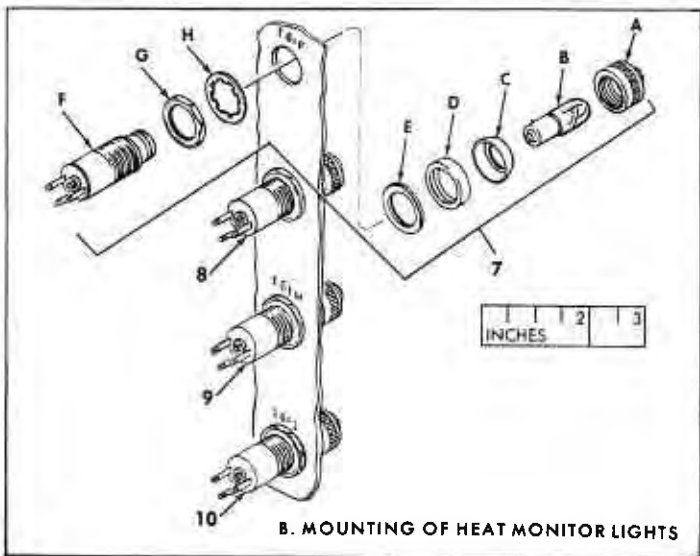
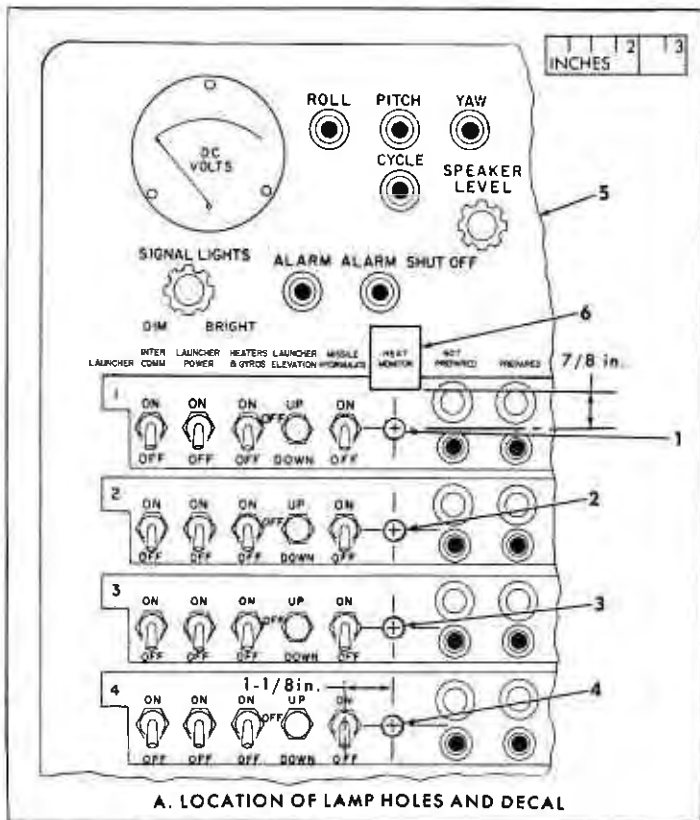
(7) Connect wire 407E22, disconnected when switch S10C was discarded in a(5) above, to switch S10B.

*Note.* Wire 407E22 replaces wire 407F22 removed in a(6) above.

(8) Seal the hole, left by the removal of switch S10C, with the neoprene grommet, item 2.

(9) Remove and retain the hexagon nut and the lockwasher that secure switch S10B to the panel (5). Install the switch guard MS25224-3, retained in a(5) above, on switch S10B and secure to the panel (5) with lockwasher





- 1—5/8-inch diameter hole (for indicator light I61F)
- 2—5/8-inch diameter hole (for indicator light I61G)
- 3—5/8-inch diameter hole (for indicator light I61H)
- 4—5/8-inch diameter hole (for indicator light I61I)
- 5—Launcher section operating panel 8525396
- 6—Identification plate, item 1
- 7—Indicator light I61F
- A—Lens
- B—Lamp

- C—Seal
- D—Ring
- E—Washer
- F—Lamp holder
- G—Nut
- H—Washer
- 8—Indicator light I61G
- 9—Indicator light I61H
- 10—Indicator light I61I

Figure 1. Modification of launcher section operating panel 8525396.

ORD G253971

AN936A716S and hexagon nut MS 25082-8 retained above.

- (10) Remove and retain the 9 machine screws, 11 flat washers, the 10 self-locking hexagon nuts, the spacer, and the 12 loop clamps that secure cable assemblies 9030184 and 8525736 to the launcher section operating panel (5) and the side of control-indicator 9025515.

**Caution:** Before any drilling or cutting is done, protect all wires and components in the immediate area from damage.

- (11) Cut four 5/8-inch diameter holes (1), (2), (3), and (4) in the panel (5) in accordance with the figure 1, view A, 1-1/8-inch from the center line of the missile hydraulic switches and in line with the switches. Remove all burrs.
- (12) Identify the four holes, using stamping kit 7520-264-3718, as indicated in the table below. Stamp the number approximately 1/4-inch above each hole and cover coat the markings.

Hole No.	Identify as
1	I61F
2	I61G
3	I61H
4	I61I

- (13) Install the missile condition monitor decal, item 1, (6) on the front of the panel (5) as indicated in figure 1, view A.
- (14) Disconnect and insulate the wires listed below using the sleeving, item 28. Tie them back using insulation tape, item 24.

Wire No.	Disconnect from	Disconnect from
173B18	E1N-4	E2F-9
1-17A14	E1K-5	
2-17A14	E1L-5	
3-17A14	E1M-5	
4-17A14	E1N-5	
220B18	E1T-5	K1R-11
225C18	E1T-4	K1R-5

- (15) Install indicator light 161F (7), component of the wiring harness, item 56, on the panel (5) in accordance with

figure 1, view B, and steps (a) through (c) below. Install the remaining three indicator lights in the same manner.

- (a) Remove and retain the lens (A), the lamp (B), the seal (C), the ring (D), and the washer (E) from the lampholder (F).
  - (b) Insert the lampholder (F), with the nut (G) and the washer (H) attached, into the hole (1) and assemble the washer (E), the ring (D), the seal (C), the lamp (B), and the lens (A), retained in (a) above, onto the lampholder.
  - (c) Tighten the nut (G) to secure the indicator light (7) to the panel (5).
- (16) Connect the wires of the wiring harness, item 56, in accordance with the table below and route the wires along cable assemblies 9030184 and 8525736.

Wire No.	Equipment with	Connect to
407BB22		S43A, deck 2, terminal 12
405BB22		S43A, deck 4, terminal 6
20AET18		S43A, deck 6, terminal 12
405BB22	crab-lok tip	E1Y-29
407BB22	crab-lok tip	E1Y-28
1-2909G18	crab-lok tip	E1K-5
2-2909G18	crab-lok tip	E1L-5
3-2909G18	crab-lok tip	E1M-5
4-2909G18	crab-lok tip	E1N-5
303BF20.	crab-lok tip	E1N-4
303BK20		17A common to wire 303R22

*Note.* Wire 213D22, item 110, from modification kit 1440-858-5825 is required only for control-indicator 9025515 with serial numbers 1001 through 1153 and shall be installed as outlined in a(17) below.

- (17) Connect wire 213D22, item 110, to launcher designation switch S44A between terminals D and E on deck 17.
- (18) Connect the wires listed in the table below as indicated and route them along cable assembly 8525736.

*Note.* If there are no screws and washers on the unused rotary switch terminals, obtain other of the same size.