

FIG. 7—Gating-amplifier circuit employed in Williams system for Bureau of Standards SEAC computer

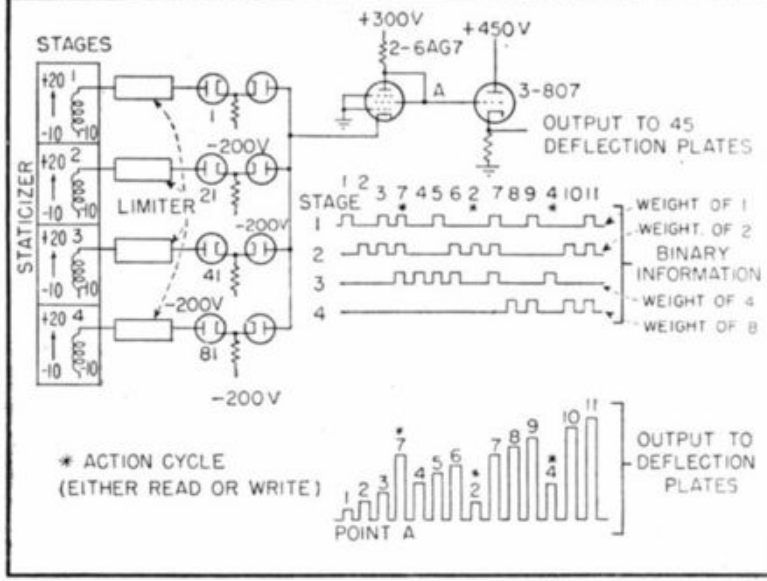


FIG. 8—Binary address digits are converted to weighted currents and summed before being applied to plates